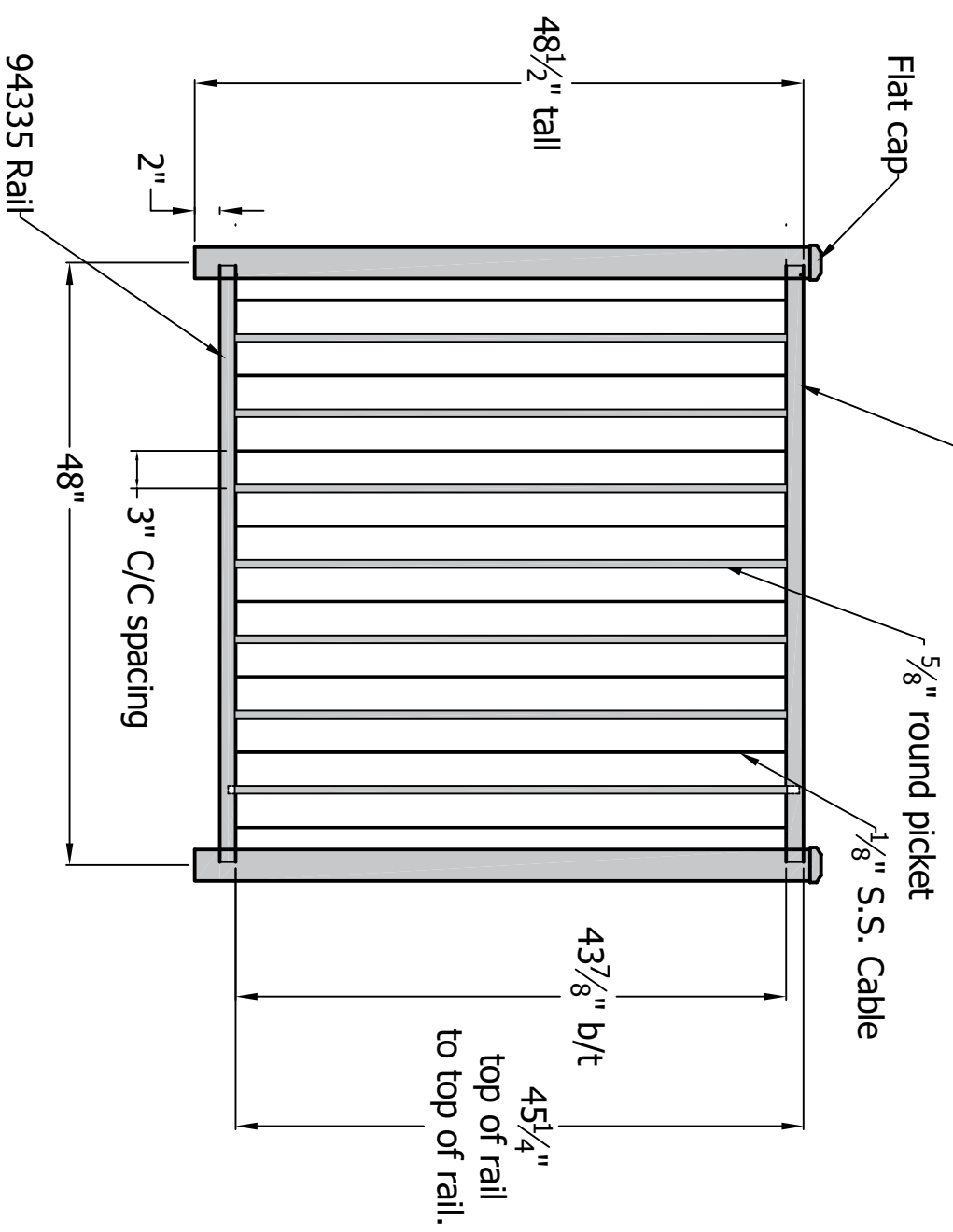


REV.	REVISION	DATE
A	Dimensioned w/numbers (was letters)	1/18/2019

PART NUMBER:

94282 Rail



SS Cable length 45 1/2"  
 Alum picket length 44-7/8" +  
 2 end plugs add 5/8" to picket length = 45 1/2"  
 Rail length 47 1/2"

APPROVED BY:  
 DATE APPROVED:

FINISH:  
 DSJ Digster Inc. 3446 US 6 EAST  
 Bremen, IN 46506

SHEET SIZE= C	DRAWN BY: fsb	PART NUMBER or STYLE:
SCALE = 1"=1'	DATE DRAWN: 08-23-2018	CF 2 Rail 4 ft Section 48.5
STANDARD TOLERANCES: .00 ±.01 FRACTIONS: ANG. ±.5° ±1/8"	LOC: z:\Aluminum Cable Fence/CF Sections	Quote requested by:
FIRST USED ON:	DRAFT: 8/23/20183F	PART NAME:
		SHEET REV. OF A

4

3

2

1