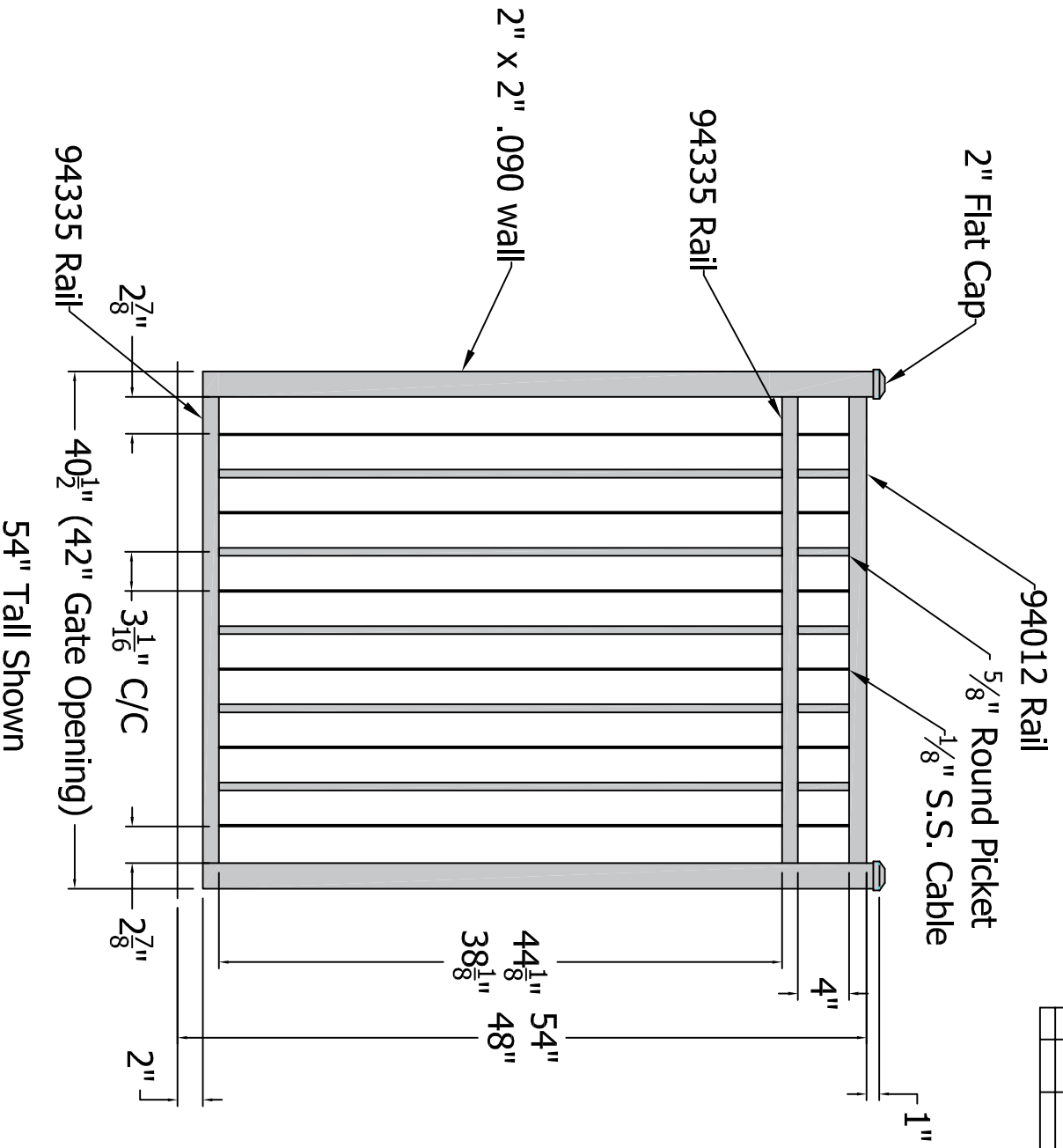


PART NUMBER:

REV.	LOC.	REVISION	DATE
A		RELEASE PENDING APPROVAL	



APPROVED BY: _____

DATE APPROVED: _____

FINISH: _____

STANDARD TOLERANCE: .00 ±.01 FRACTIONS: .000 ±.005 ±.18 ANG. ±.5°

SHEET SIZE = C DRAWN BY: CM DATE DRAWN: 08-31-2018 PART NUMBER or STYLE: 3 Rail 48 and 54T x 42W

SCALE = 1"=1" LOC: z:\Aluminum\Gate Fence\CF Gates Quote requested by:

FIRST USED ON: DRAFT: 20180831-2C PART NAME: Gate SHEET REV. OF A

DSI Digger Inc. 3446 US 6 EAST Bremen, IN 46506