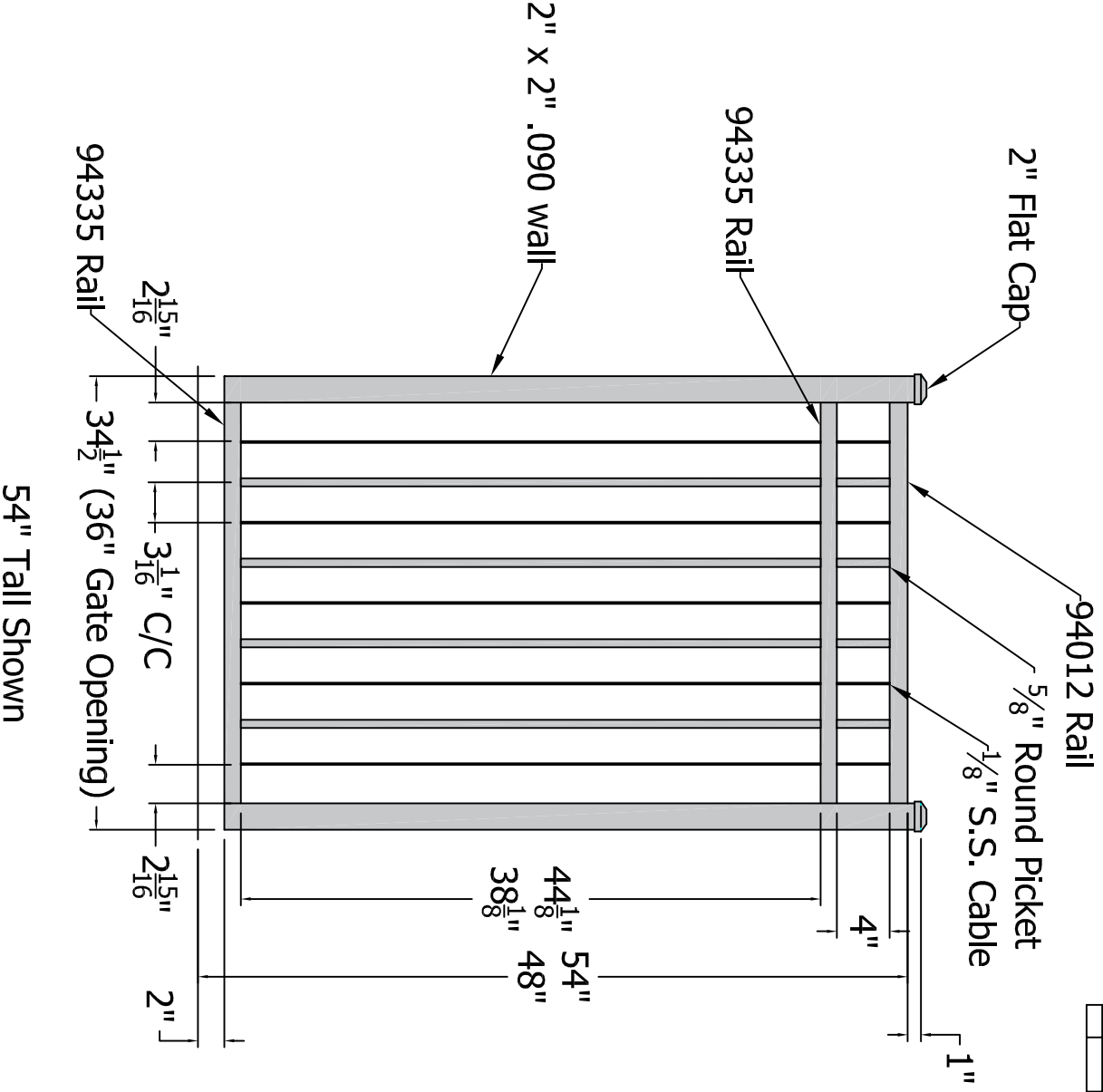


PART NUMBER:

REV.	LOC.	REVISION	DATE
A		RELEASE PENDING APPROVAL	



APPROVED BY:		DATE APPROVED:	
FINISH:		FIRST USED ON:	
SHEET SIZE = C		DRAWN BY: CM	
SCALE = 1" = 1"		DATE DRAWN: 08-30-2018	
STANDARD TOLERANCE: .00 ±.01 FRACTIONS: .000 ±.005 ANG. ±.5°		PART NUMBER or STYLE: 3 Rail 48 and 54T x 36W	
LOC: z:\Aluminum\Gate Fence\CF Gates		Quote requested by:	
DRAFT: 20180830-2C		PART NAME: Gate	
		SHEET REV. OF A	

