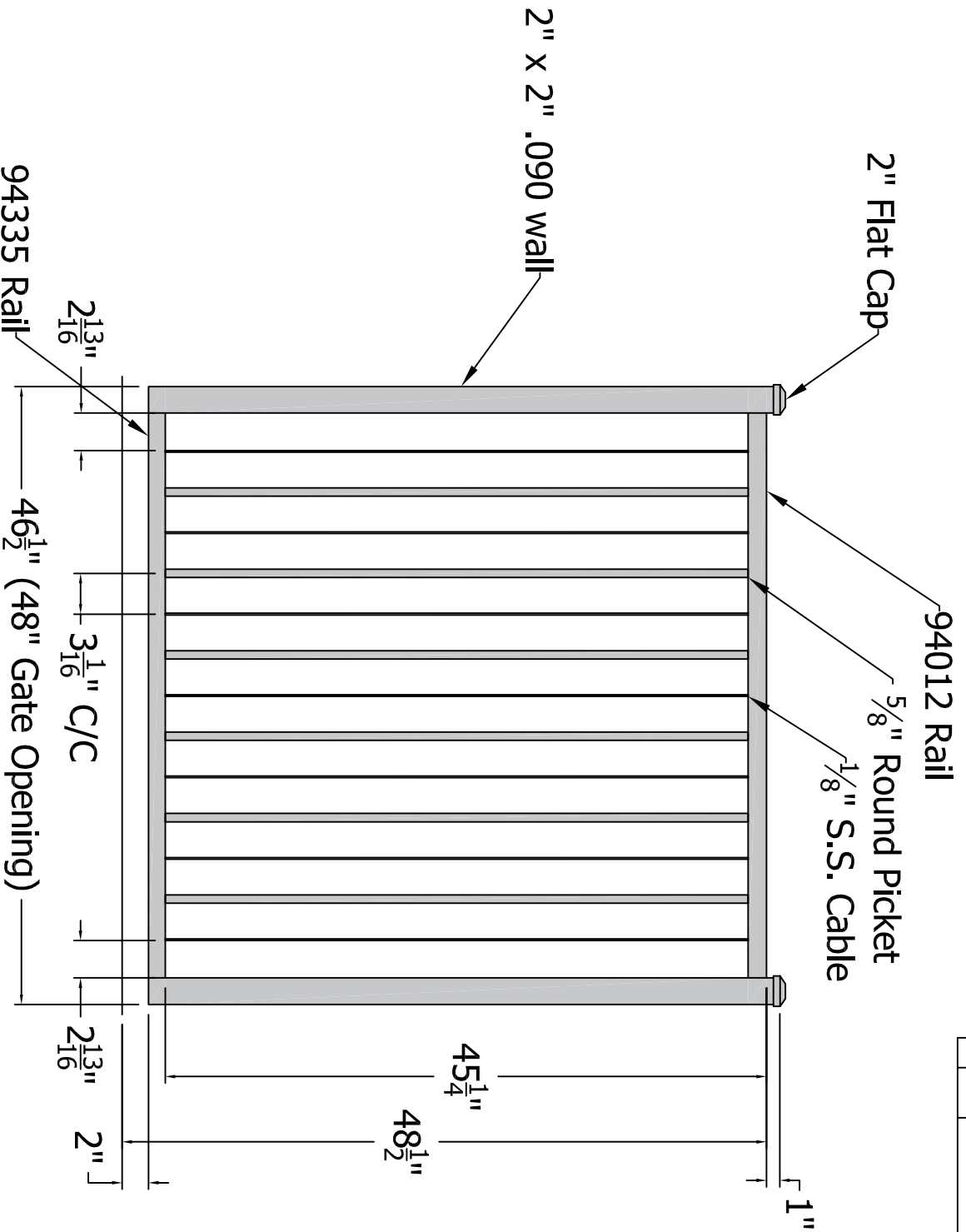


PART NUMBER:

REV.	LOC.	REVISION	DATE
A		RELEASE PENDING APPROVAL	



APPROVED BY:
 DATE APPROVED:

FINISH:
 DSJ Digger Inc. 3446 US 6 EAST Bremen, IN 46506

SHEET SIZE = C	DRAWN BY: CM	PART NUMBER or STYLE:
SCALE = 1"=1"	DATE DRAWN: 08-27-2018	2 Rail 48.5T X 48W
STANDARD TOLERANCE: .000 ±.005	LOC: z:\Aluminum\Cable Fence\CF Gates	Quote requested by:
ANG. ±.5"	DRAFT: 20180827-3C	
FIRST USED ON:	PART NAME: Gate	SHEET REV. A

4

3

2

1