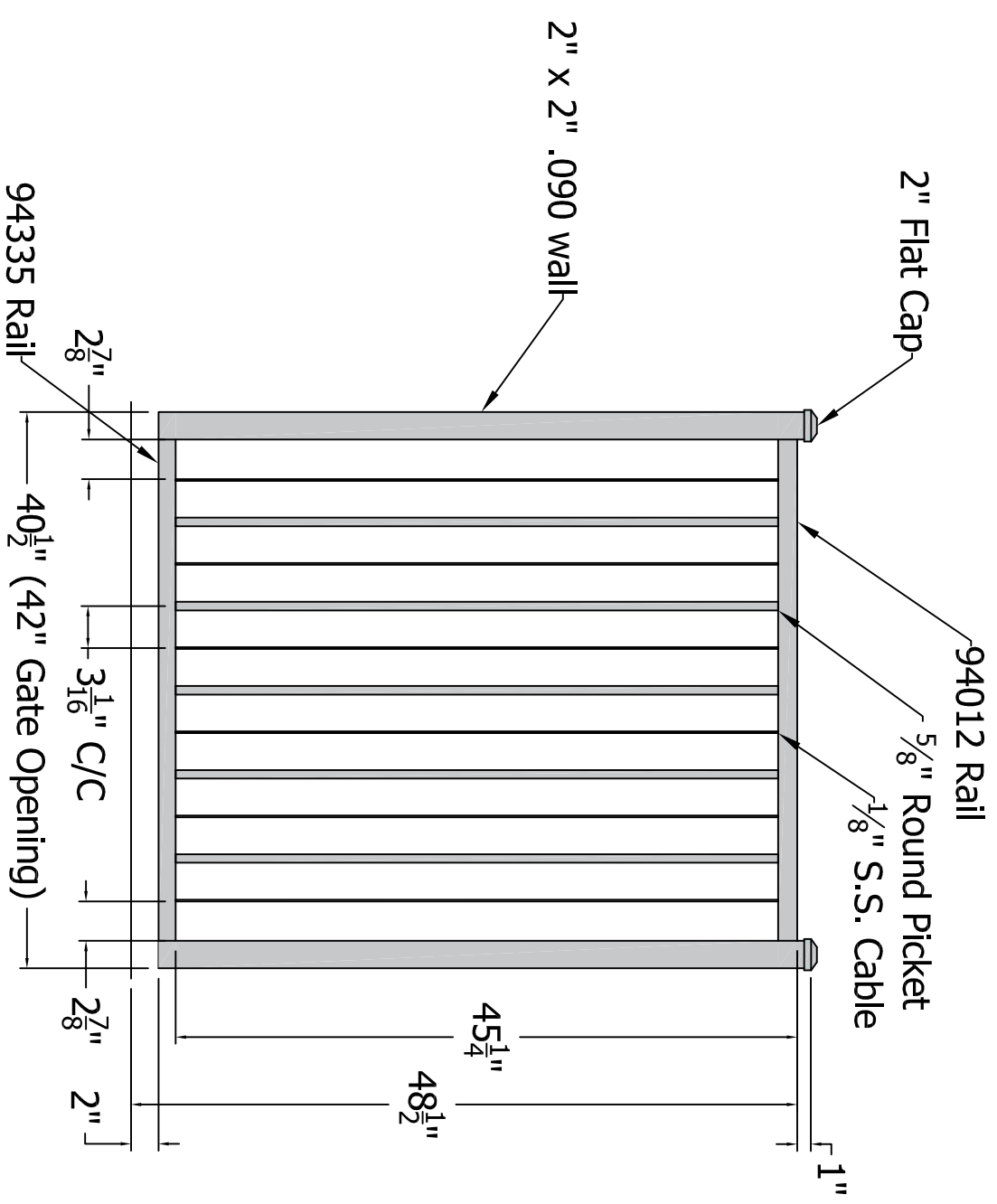


PART NUMBER:

REV.	LOC.	REVISION	DATE
A		RELEASE PENDING APPROVAL	



APPROVED BY:  
DATE APPROVED:

4 3

DSI Digger States, Inc.  
3446 US 6 EAST  
Bremen, IN 46506

FINISH:	SHEET SIZE = C	DRAWN BY: CM	PART NUMBER or STYLE:
	SCALE = 1"=1"	DATE DRAWN: 08-27-2018	2 Rail 48.5T x 42W
	STANDARD TOLERANCE: .00 ±.01 FRACTIONS: .000 ±.005 ±.1"	LOC: z:\aluminum\Gate Fence/Cf Gates	Quote requested by:
	ANG. ±.5"	FIRST USED ON:	PART NAME: Gate
		DRAFT: 20180827-2C	SHEET REV. OF A

A B C D