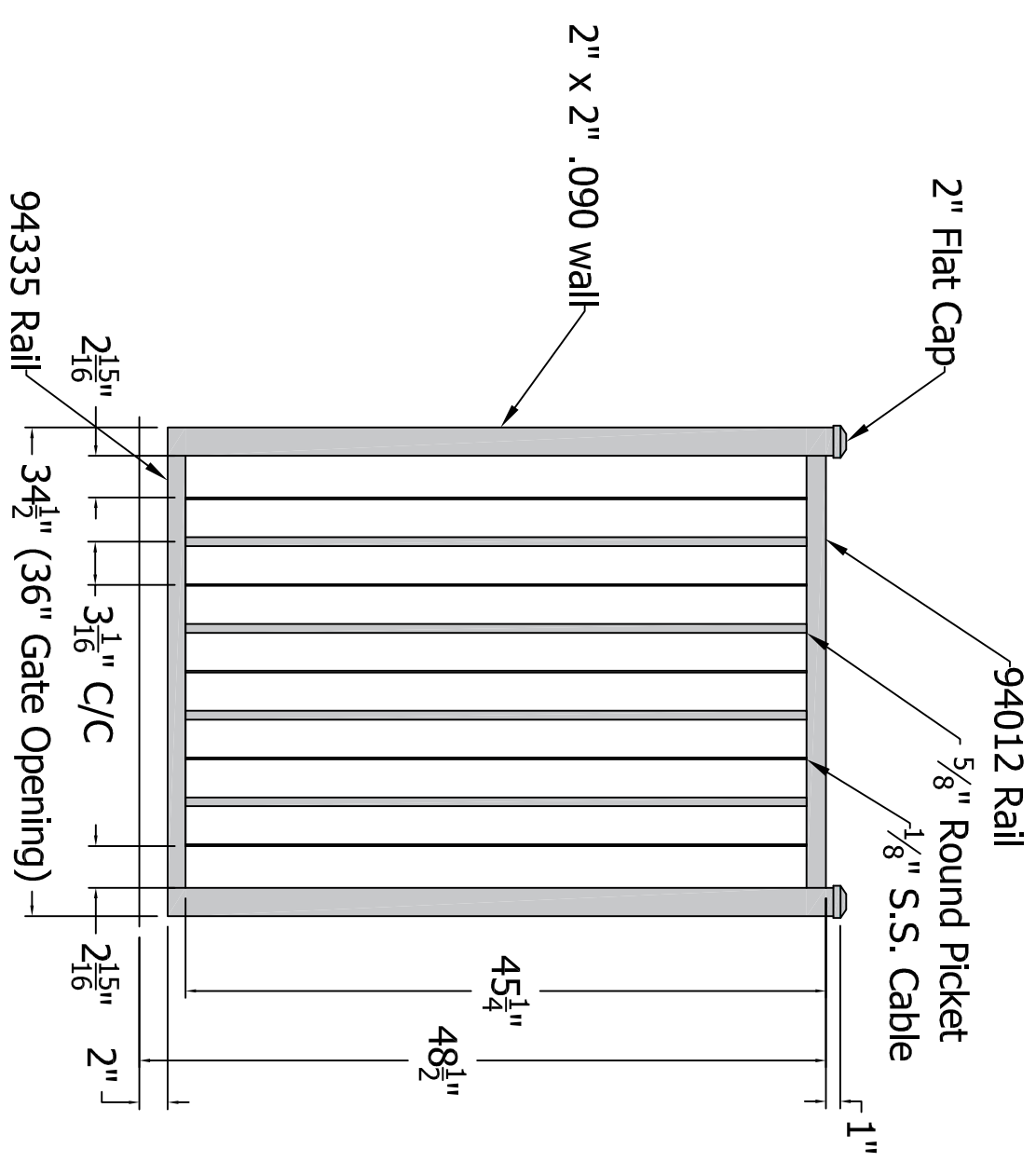


PART NUMBER:

REV.	LOC.	REVISION	DATE
A		RELEASE PENDING APPROVAL	



SHEET SIZE = C	DRAWN BY: CM	PART NUMBER or STYLE:
SCALE = 1"=1"	DATE DRAWN: 08-27-2018	2 Rail 48.5T x 36W
STANDARD TOLERANCE: .00 ±.01 FRACTIONS: .000 ±.005 ±.1"	LOC: z:\Aluminum\Gate Fence\CF Gates	Quote requested by:

APPROVED BY:	FINISH:	DSI Digger Specialties, Inc.	3446 US 6 EAST Bremen, IN 46506	FIRST USED ON:	DRAFT:	PART NAME:	SHEET REV.
DATE APPROVED:				20180827-1C	Gate	Gate	A

4

3

2

1