

4

3

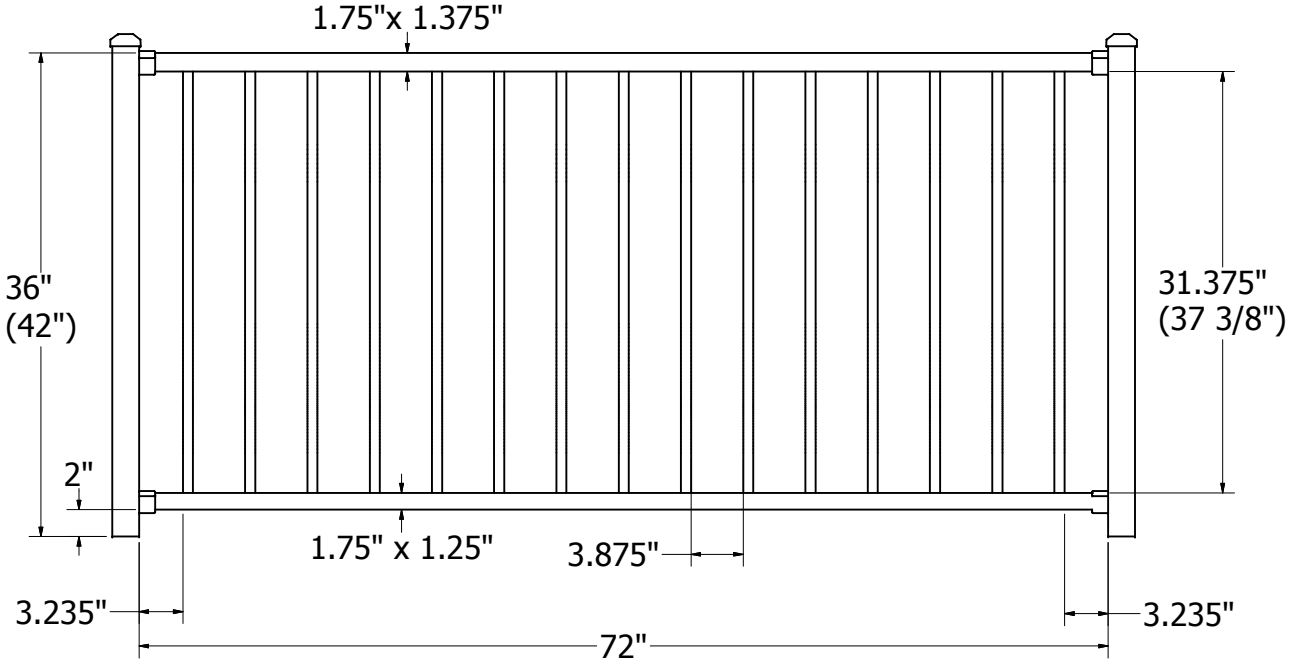
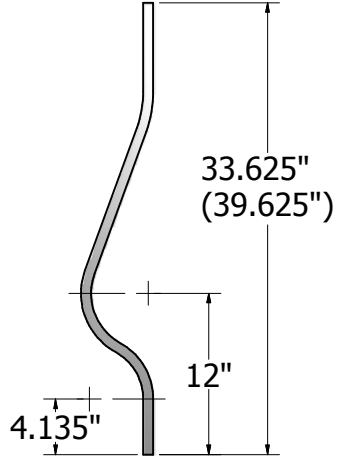
2

1 PART NUMBER:

REV.	REVISION	DATE
A	RELEASED TO PRODUCTION	

Dimensions in parenthesis () are for 42" Railing

Picket



SHEET SIZE = C	DRAWN BY: wjm	MATERIAL: 6' Montego Railing
SCALE =	DATE DRAWN: 11/16/2009	PART NAME: C-20 6 Foot
STANDARD TOLERANCE: .00 ±.01 FRACTIONS .000 ±.005 ±.1" ANG ±.5°	APPROVED BY:	PART NUMBER: Section 6
FIRST USED ON:	DATE APPR'D:	REV.

FINISH:

3446 US 6 EAST
Bremen, IN 46506

4

3

2

1

D

D

C

C

B

B

A

A

A

A